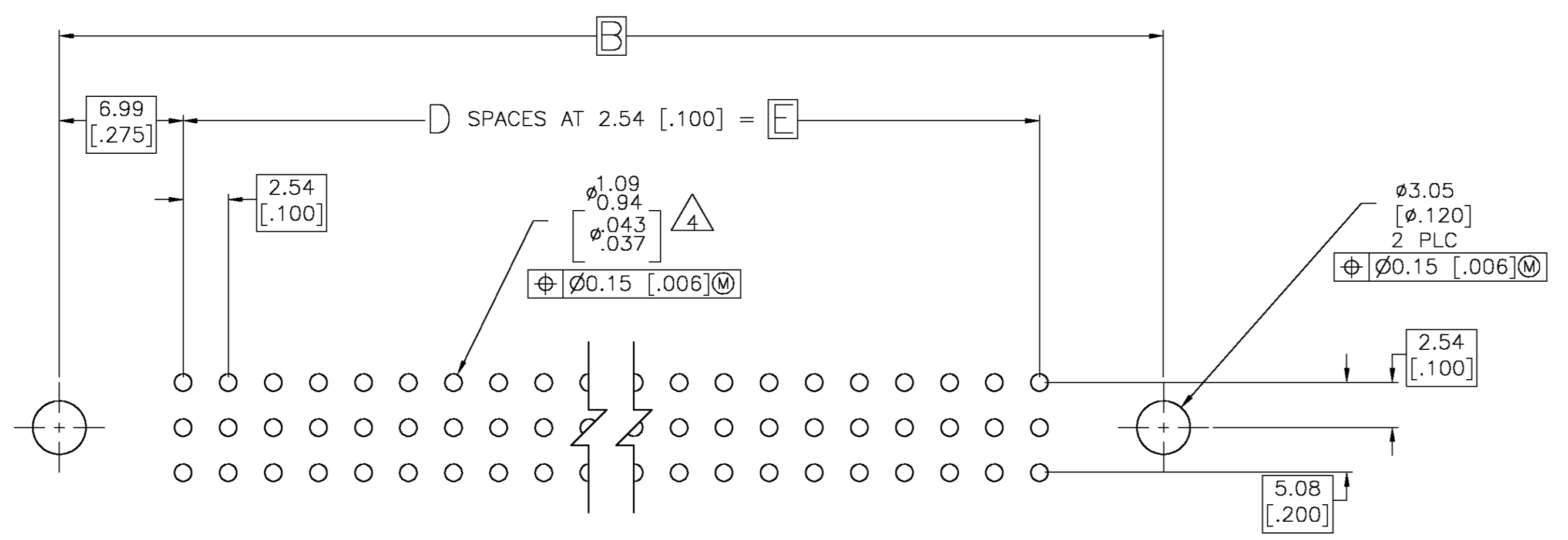
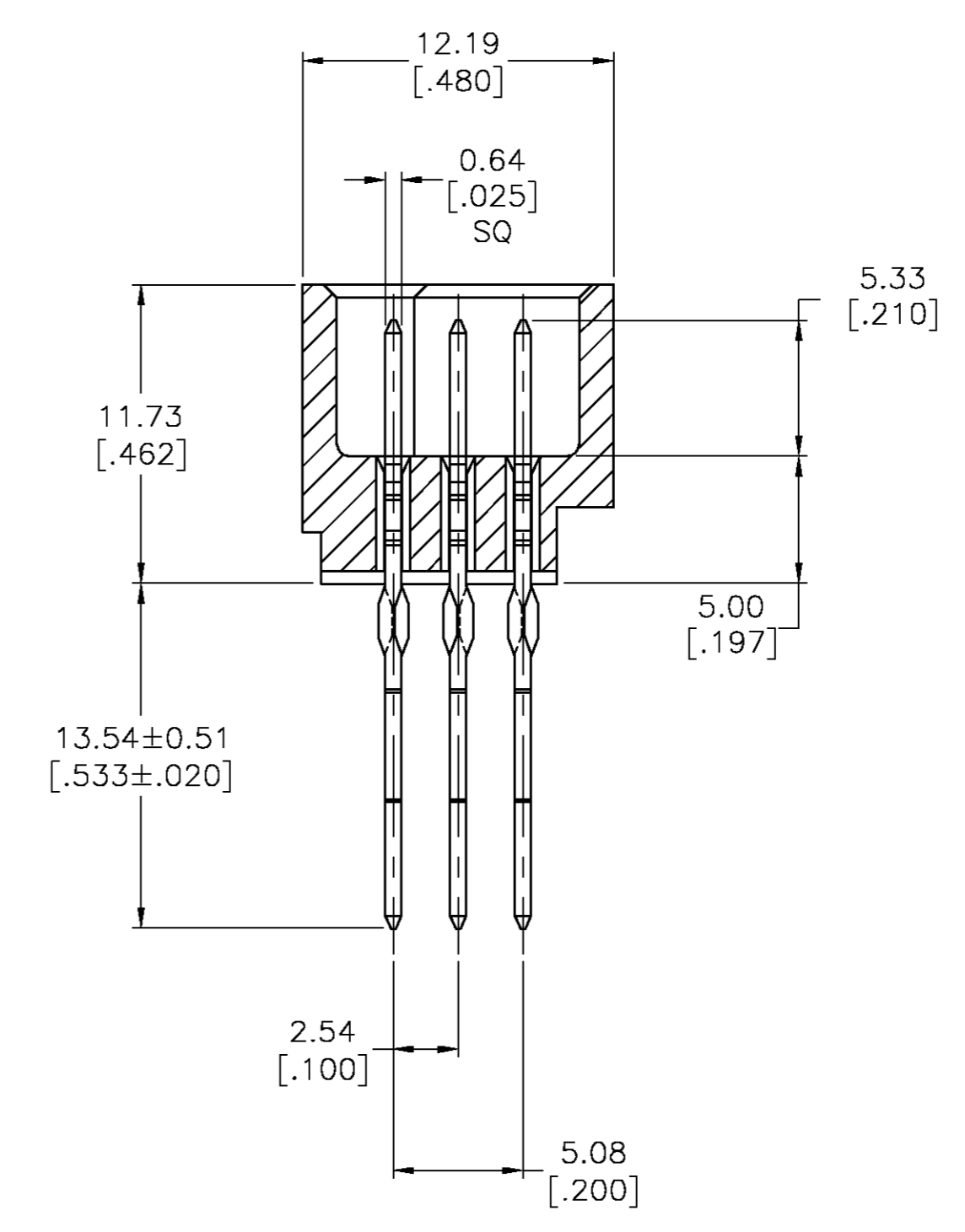
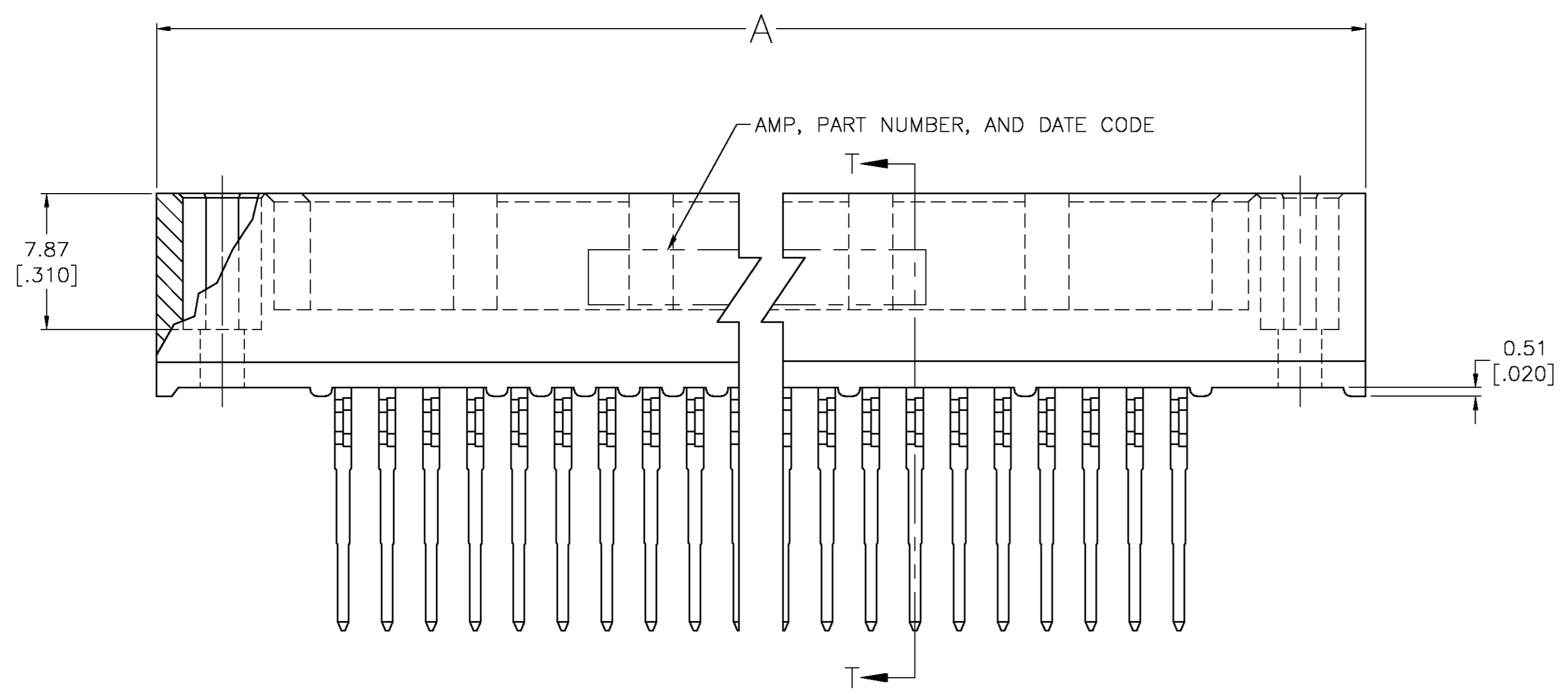


- 1 HOUSING MATERIAL: THERMOPLASTIC, BLACK.
- 2 CONTACT MATERIAL: PHOSPHOR BRONZE.
- 3 CONTACT FINISH: 0.00127-0.00254 [.000050-.000100] NICKEL UNDERPLATE ALL OVER: 0.00076 [.000030] MIN GOLD PLATE IN CONTACT AREA, TIN PLATED POSTS.
- 4 ACTION PIN POSTS REQUIRE 2.36 [.093] MIN THICK PC BOARD. RECOMMENDED PC BOARD HOLES ARE $\phi 1.151$ [.0453] PLATED THRU 0.025-0.076 [.001-.003] COPPER, WITH 0.0076 [.0003] MIN TIN-LEAD PLATING; FINISHED HOLE AFTER PLATING $\phi 0.94-1.09$ [.037-.043]; AFTER REFLOW $\phi 0.91-1.09$ [.036-.043].
- 5 HOUSINGS WITH CENTER MOUNTING IS RECOMMENDED FOR ASSEMBLIES HAVING 75 CONTACTS PER ROW OR MORE.



SECTION T-T

E	D	C	B	A	POSN	PART NUMBER
210.82 [8.300]	83	214.63 [8.450]	224.79 [8.850]	232.41 [9.150]	252	1-5533061-9
175.26 [6.900]	69	179.07 [7.050]	189.23 [7.450]	196.85 [7.750]	210	1-5533061-1
149.86 [5.900]	59	153.67 [6.050]	163.83 [6.450]	171.45 [6.750]	180	5533061-9
137.16 [5.400]	54	140.97 [5.550]	151.13 [5.950]	158.75 [6.250]	165	5533061-8
99.06 [3.900]	39	102.87 [4.050]	113.03 [4.450]	120.65 [4.750]	120	5533061-5
73.66 [2.900]	29	77.47 [3.050]	87.63 [3.450]	95.25 [3.750]	90	5533061-2

THIS DRAWING IS A CONTROLLED DOCUMENT.

DRN: J. POLIGNONE	11MAY05		Tyco Electronics Corporation
CHK: A. SHARPE	11MAY05		Harrisburg, Pa 17105-3608
DIMENSIONS: mm [INCHES]	TOLERANCES UNLESS OTHERWISE SPECIFIED:	NAME: A. SHARPE	PRODUCT SPEC: ASSEMBLY, PIN, VERTICAL, HDI, LEAD-FREE, 3 ROW, WITHOUT GUIDE PINS, 13.54[.533] LONG ACTION PINS, 0.00076 [.000030] MIN GOLD PLATE
0 PLC ± -	1 PLC ± -	APPLICATION SPEC: -	SIZE: A1
2 PLC ± 0.13 [.005]	3 PLC ± -	WEIGHT: -	CAGE CODE: 00779
4 PLC ± -	ANGLES ± -	FINISH: -	DRAWING NO: 5533061
MATERIAL: 1, 2, 3	FINISH: 3	CUSTOMER DRAWING	SCALE: 4:1
		SHEET 1 OF 1	
		REV 0	